

Passive PoE Injector D-Shaped

EZ-POEPA01

The **EZ-POEPA01** is a low cost Power Over Ethernet (PoE) Injector to insert PoE power to a CAT5 Ethernet data cable on the unused Ethernet pins 4,5(+) and 7,8(-).

The new **EZ-POEPA01** Passive PoE Injector is made of TPEE material in an aesthetic package and is available with one RJ45 plug to act as “Data-In”, one RJ45 port to act as “PoE+Data out” and one power supply jack.

The new **EZ-POEPA01** indoor passive PoE Injector allows you to use your space efficiently when installing your wireless equipment through its small size and high manageability.

The unique EZ-POEPA01 has a power on indicator LED showing when DC power (12V to 48V) is being supplied to the inserter through the DC jack.



Features :

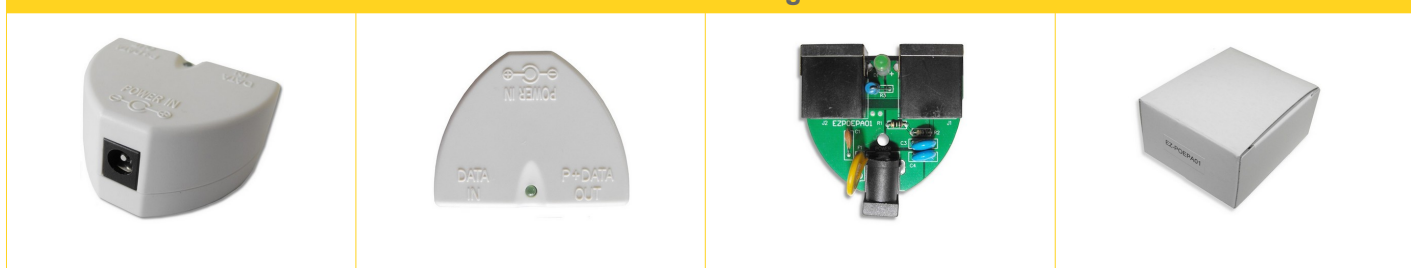
- RJ45 Cat.5 Input / Output connector
- Input / Output common ground
- Power/Data mixer
- Ethernet switches expand to Wireless AP
- Cat5 rated RJ45 jack for more reliable high speed data connections (10/100MB)
- Small size.

Applications:

- Wireless Access Points and Client Devices
- IP Phone and Security Camera Systems

TECHNICAL SPECIFICATIONS		CONNECTION SPECIFICATIONS			
DC max Input Voltage	48V ± 5 %	Input Pins / RJ-45 Plug		Output Pins / RJ-45 Jack	
DC max Output Voltage	48V ± 5 %	Pin	Function	Pin	Function
Max Output Current	0.4A Max.	1	Tx(+)	1	Tx(+)
Over Current Protection	None	2	Tx (-)	2	Tx (-)
Operating Temperature	0°C ~ +50°C	3	Rx (+)	3	Rx (+)
Storage Temperature	-20°C ~ +70°C	4	N.C.	4	V+
Humidity	Up to 90%	5	N.C.	5	V+
Weight	30gr	6	Rx (-)	6	Rx (-)
Dimensions	54x42,6x26mm	7	N.C.	7	GND
Package	PoE Injector in carton box	8	N.C.	8	GND

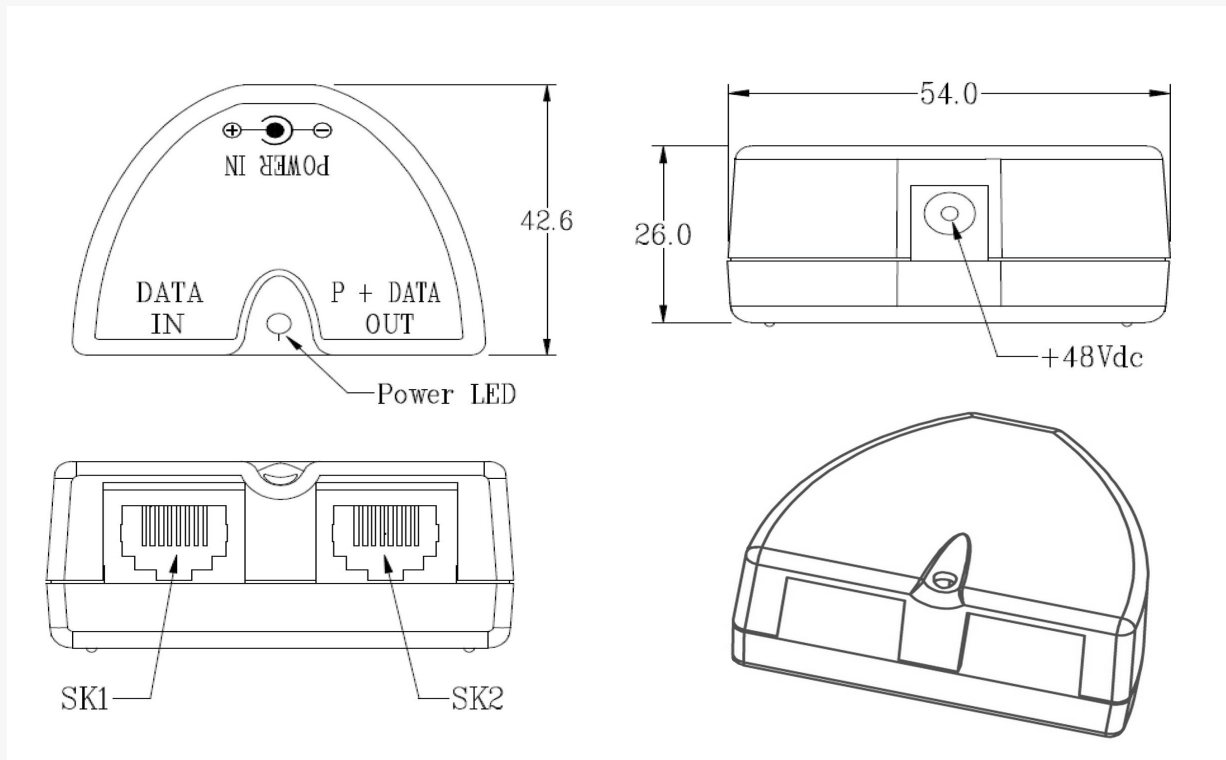
Additional images



Passive PoE Injector D-Shaped

EZ-POEPA01

Dimensions:



Schematics:

