

N-Female Bulkhead to N-Female adapter

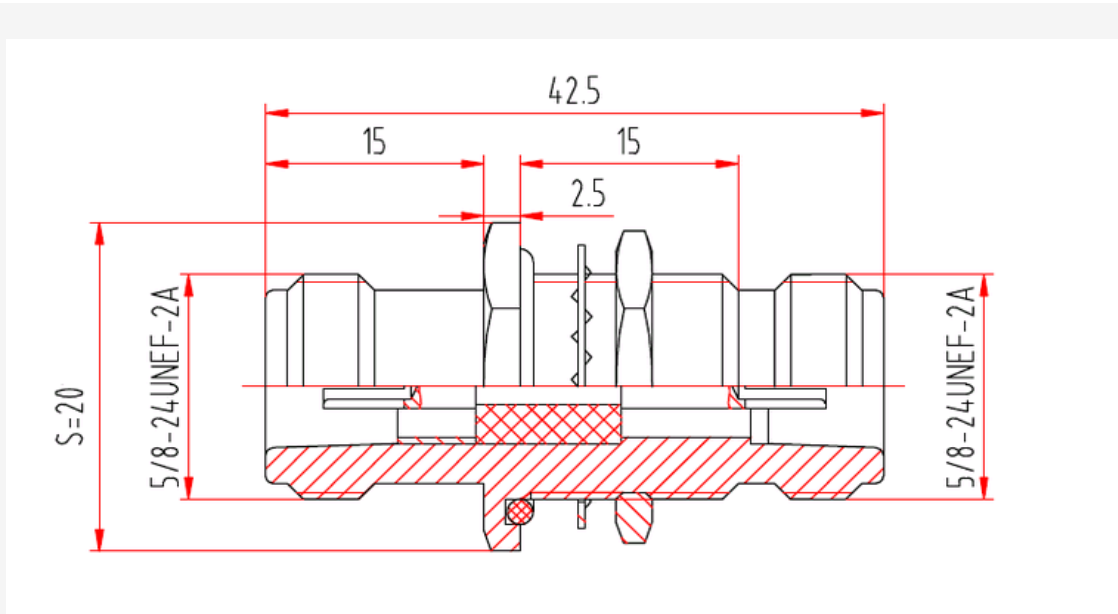
EZ-NF2NFB

N-type Female Bulkhead to N-Female adapter.

N Series coaxial adapters have medium-sized, threaded coupling connectors designed for use from DC to 11 GHz.

Their consistently low broadband VSWR have made them popular over the years in many applications.

The N series adapter is impedance matched to 50 ohm cables.



TECHNICAL SPECIFICATIONS	
Impedance	50 ohm
Frequency Range	0 to 11.0 GHz
V.S.W.R.	1.3 max
Working Voltage	1,000 volts rms max at sea level
Dielectric Withstanding Voltage	2,500 volts rms max at sea level
Contact Resistance	Center contact=1.0 Milliohms max
Contact Resistance	Outer contact=1.0 Milliohms max
Insertion Loss	< 2,5 dB
Insulation Resistance	5,000 Megohms min
Connector Body	Nickel Plated
Center Pin	Gold Plated
Dielectric	Teflon
O-Ring	Present

Connector 1	Connector 2
N-Type	N-Type
Male Thread	Male Thread
Female Center Pin	Female Center Pin
Additional Images	